



PCORE
ELECTRIC

KV CLASS 34.5 kV | BIL 200 kV | Uy 22 kV

CURRENT RATING
2000 AMP BOTTOM CONNECTION

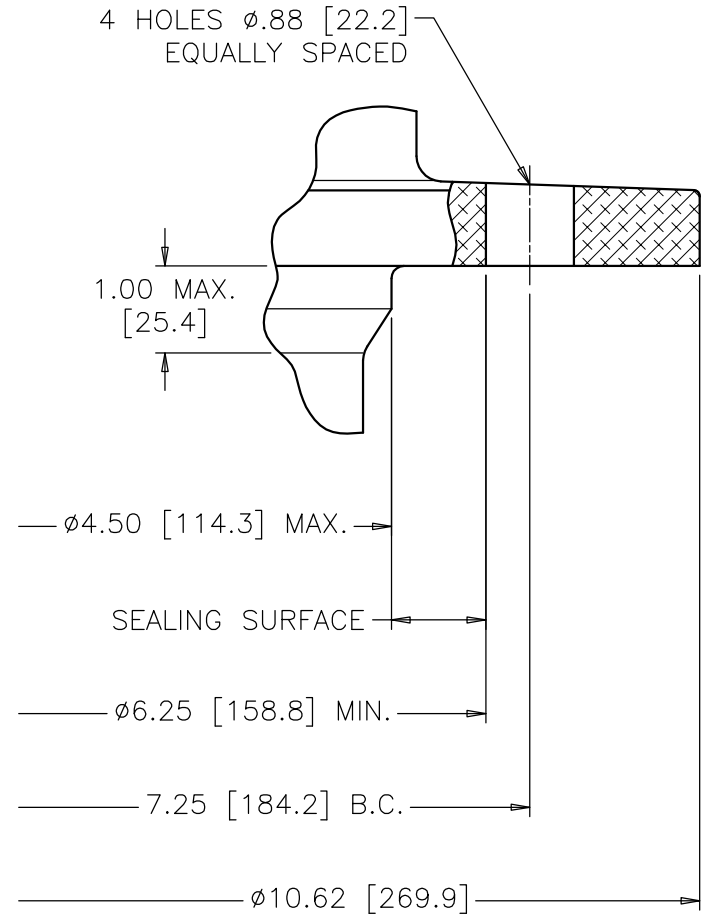
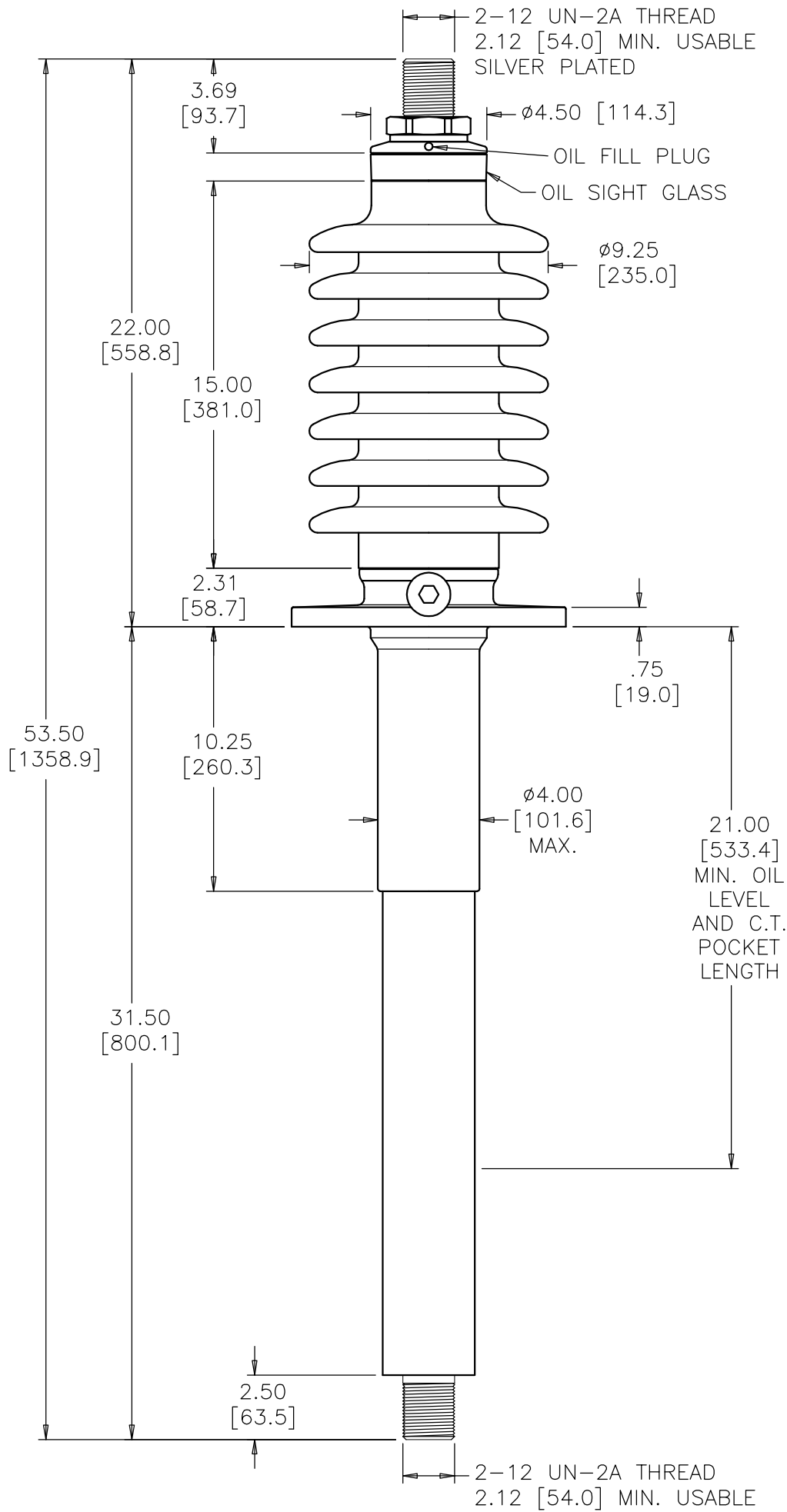
DWG.	CATALOG NUMBER	GLAZE COLOR
SD	B-89323-7	BROWN
SD	B-89323-7-70	LT. GRAY

DATE	REV. DATE
1-6-10	

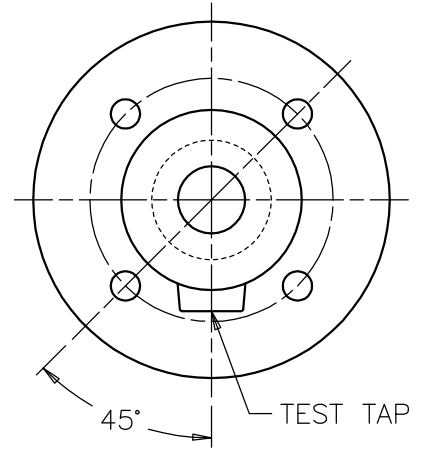
MAXIMUM ALTITUDE	10000 ft [3000 m]
NET WEIGHT	114 lb [52 kg]
ANGLE OF INCLINATION FROM THE VERTICAL	0° TO 70°

MIN. CREEP	37.50 [952.5]	MIN. STRIKE	17.00 [431.8]
CREEP/Uy	1.70 [43.3]	STD.	IEEE C57.19.00/01
PCB CONTENT OF OIL IS LESS THAN 1 ppm			

TITLE
PRC BUSHING
STAINLESS STEEL TEST TAP COVER



MOUNTING FLANGE DETAIL



FLANGE ALIGNMENT DIAGRAM TOP VIEW

DIMENSIONS IN INCHES [MILLIMETERS]

REVISION	SCALE
	1/6

NOTE TO PURCHASER:
ALL SALES OF PCORE PRODUCTS ARE SUBJECT TO OUR STANDARD TERMS AND CONDITIONS AND THE LIMITED WARRANTIES THEREUNDER